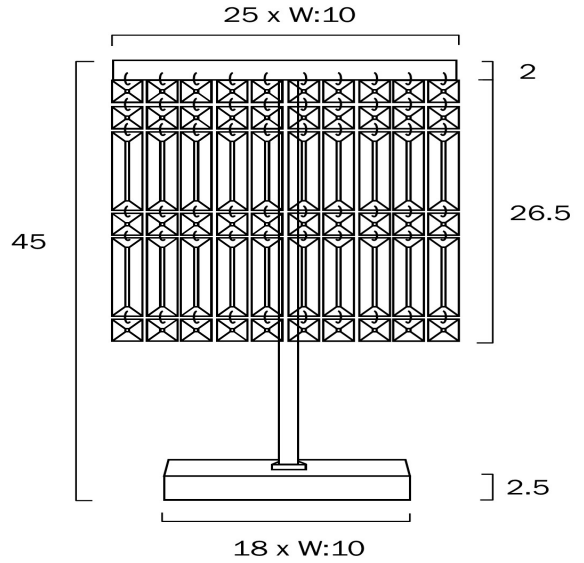


## CERONE TABLE LAMP



### LIGHT SOURCE

**Voltage Input**

240V

**Total Wattage (max)**

56

**Wattage**

28

**Globe Type**

G9

**Globe / Light Source qty**

2

**Globe / Light Source included**

No

**Dimmable**

Globe Dependant

### SPECIFICATIONS

**Lead and Plug**

Yes

**Switch**

Inline Switch

**IP rating**

IP20

**Electrical Protection**

CLASS II - DOUBLE INSULATED, EARTH NOT REQUIRED

### COLOUR AND MATERIAL

**Fixture Material**

Iron,Crystal

### PRODUCT DIMENSIONS

**Fixture Height (cm)**

45

**Fixture Length (cm)**

25

**Fixture Width (cm)**

10

**Cable Length (cm)**

180 (30+Inline Switch+150)

### WARRANTY

**Replacement Warranty**

\*3 Years

**telbix.**

## CARE

---

### Care Instructions

Do not use strong liquid cleaners,Wipe clean with a dry cloth

## VARIANTS

---

[CERONE TL-AGCLR] CERONE  
TABLE LAMP (GOLD| CLEAR)



9329501060834

Find CERONE TABLE LAMP on  
[www.telbix.com](http://www.telbix.com)

