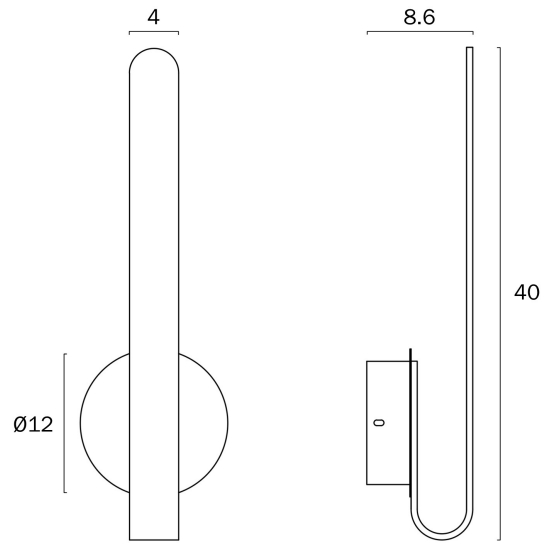


ATALA 40CM LED WALL LIGHT SMALL



Note: Dimensions are only a guide and may vary due to manufacturing variations.

LIGHT SOURCE

Voltage Input

240V

Total Wattage (max)

12

Globe Type

LED integrated SMD

Globe / Light Source qty

1

Globe / Light Source included

Yes

Color Kelvin

3000k

Color Temperature

Warm White

Dimmable

Yes - TRIAC

Lumens

960

CRI (Color Rendering Index)

>80

SPECIFICATIONS

Lead and Plug

No

IP rating

IP20

Electrical Protection

CLASS I - HIGH VOLTAGE, EARTH REQUIRED

Mounting

Surface

Height Adjustable?

No

COLOUR AND MATERIAL

Fixture Material

Iron,Aluminium

Fixture Finish

Sand

PRODUCT DIMENSIONS

Fixture Weight (Kg)

0.59

Telbix.

Fixture Projection (cm)

8.6

Fixture Width (cm)

4

Fixture Height (cm)

40

WARRANTY

Replacement Warranty

*3 Years

OTHER

Installation Required

Yes (by Licensed Electrician only)

CARE

Care Instructions

Do not use strong liquid cleaners, Wipe clean with a dry cloth, Aluminium, Brass and Stainless Steel will naturally oxidised and change overtime. Exterior products require regular four (4) monthly cleaning and maintenance to ensure they do not accumulate dirt or other environmental deposits. Wipe the product with a mild detergent and warm water to remove surface deposits. Rinse with fresh water and wipe dry with a soft cloth. An extra temporary protection barrier of water displacement oil can help to maintain the surface, such as WD40, sprayed onto a soft cloth and rubbed onto the surface.

VARIANTS

[ATALA WB40-BKGD] ATALA
40CM LED WALL LIGHT
SMALL (BLACK)



9329501068809

[ATALA WB40-WH] ATALA
40CM LED WALL LIGHT
SMALL (WHITE)



9329501068793

Find ATALA 40CM LED WALL LIGHT SMALL on
www.telbix.com

