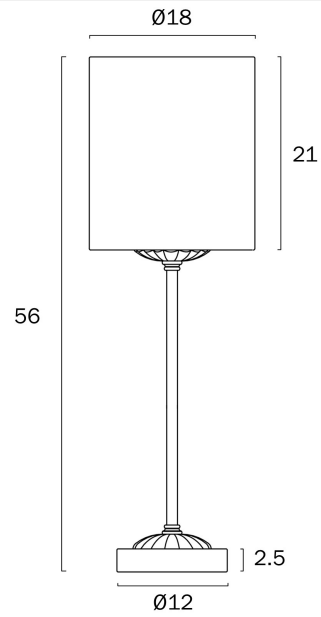


ARGOS TABLE LAMP



Note: Dimensions are only a guide and may vary due to manufacturing variations.

LIGHT SOURCE

Voltage Input

240V

Total Wattage (max)

25

Wattage

25

Globe Type

E27

Globe / Light Source qty

1

Globe / Light Source included

No

Dimmable

Globe Dependant

SPECIFICATIONS

Lead and Plug

Yes

Switch

Inline Switch

IP rating

IP20

Electrical Protection

CLASS II - DOUBLE INSULATED, EARTH NOT REQUIRED

COLOUR AND MATERIAL

Fixture Material

Iron,Fabric

Fixture Finish

Satin

PRODUCT DIMENSIONS

Fixture Weight (Kg)

0.93

Fixture Height (cm)

56

Fixture Diameter (cm)

18

Cable Length (cm)

180 (30+Inline Switch+150)

WARRANTY

Replacement Warranty
*3 Years

CARE

Care Instructions
Do not use strong liquid cleaners,Wipe clean with a dry cloth

VARIANTS

[ARGOS TL-AGBK] ARGOS
TABLE LAMP (ANTIQUE GOLD|
BLACK)



9329501081204

[ARGOS TL-AGIV] ARGOS
TABLE LAMP (ANTIQUE GOLD|
IVORY)



9329501081211

Find ARGOS TABLE LAMP on
www.telbix.com

