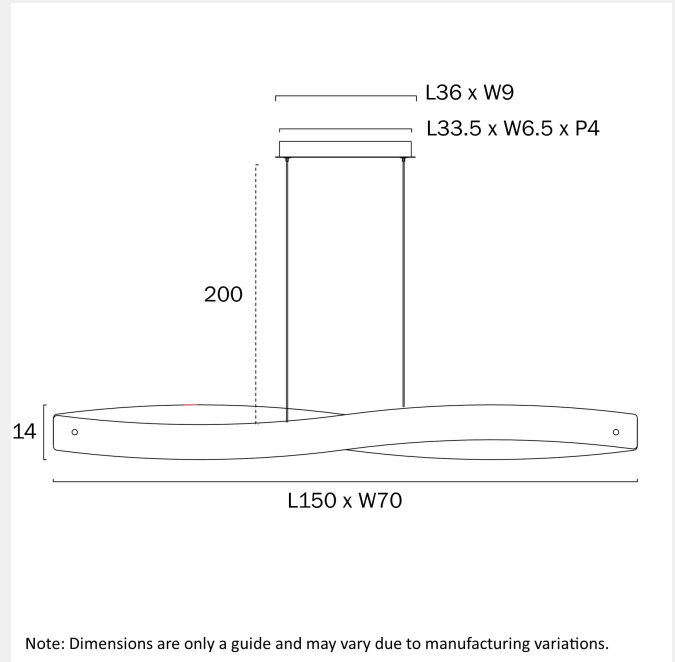


## AREZZO 150CM LINEAR PENDANT LIGHT



### LIGHT SOURCE

**Voltage Input**

240V

**Total Wattage (max)**

48

**Globe Type**

LED integrated SMD

**Globe / Light Source qty**

1

**Globe / Light Source included**

Yes

**Color Kelvin**

3000k

**Color Temperature**

Warm White

**Dimmable**

Yes - TRIAC

**Lumens**

4680

**CRI (Color Rendering Index)**

>80

### SPECIFICATIONS

**Lead and Plug**

No

**IP rating**

IP20

**Suspension Type**

Wire

**Height Adjustable?**

Yes

**Mounting**

Surface

**Electrical Protection**

CLASS I - HIGH VOLTAGE, EARTH REQUIRED

### COLOUR AND MATERIAL

**Fixture Material**

Aluminium,Iron,Polycarbonate

### WARRANTY

**Replacement Warranty**

\*3 Years

## PRODUCT DIMENSIONS

---

**Fixture Weight (Kg)**

5.5

**Fixture Height (cm)**

14

**Fixture Length (cm)**

150

**Fixture Width (cm)**

70

**Suspension Length (cm)**

200

## OTHER

---

**Installation Required**

Yes (by Licensed Electrician only)

## CARE

---

**Care Instructions**

Aluminium, Brass and Stainless Steel will naturally oxidised and change overtime. Exterior products require regular four (4) monthly cleaning and maintenance to ensure they do not accumulate dirt or other environmental deposits. Wipe the product with a mild detergent and warm water to remove surface deposits. Rinse with fresh water and wipe dry with a soft cloth. An extra temporary protection barrier of water displacement oil can help to maintain the surface, such as WD40, sprayed onto a soft cloth and rubbed onto the surface.,Do not use strong liquid cleaners,Wipe clean with a dry cloth

## VARIANTS

---

[AREZZO PE150-BK] AREZZO  
150CM LINEAR PENDANT  
LIGHT (BLACK)



9329501080559

[AREZZO PE150-SL] AREZZO  
150CM LINEAR PENDANT  
LIGHT (SILVER)



9329501080566

Find AREZZO 150CM LINEAR PENDANT LIGHT on  
[www.telbix.com](http://www.telbix.com)

