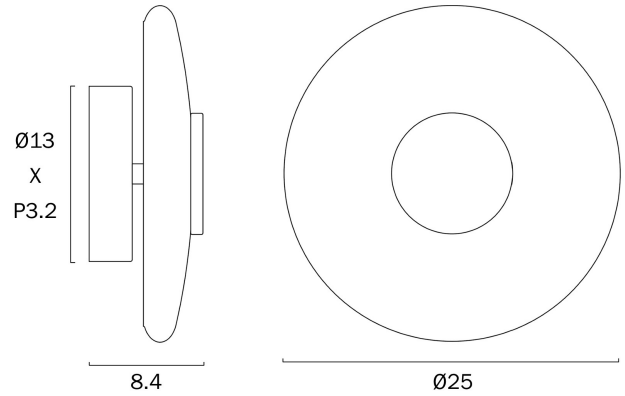


AMITY LED WALL LIGHT



Note: Dimensions are only a guide and may vary due to manufacturing variations.

LIGHT SOURCE

Voltage Input

240V

Total Wattage (max)

8

Globe Type

LED integrated SMD

Globe / Light Source qty

1

Globe / Light Source included

Yes

Color Kelvin

3000k

Color Temperature

Warm White

Dimmable

No

Lumens

435

CRI (Color Rendering Index)

>80

SPECIFICATIONS

Lead and Plug

No

IP rating

IP20

Electrical Protection

CLASS III - LOW VOLTAGE, <54v

Mounting

Surface

COLOUR AND MATERIAL

Fixture Material

Iron, Glass

Fixture Finish

Black Sand or Brass Matte

Glass Color

Amber, Opal or Smoke

PRODUCT DIMENSIONS

Fixture Weight (Kg)

1.7

Telbix.

Fixture Projection (cm)

8.4

Fixture Diameter (cm)

25

WARRANTY

Replacement Warranty

*3 Years

OTHER

Installation Required

Yes (by Licensed Electrician only)

CARE

Care Instructions

Do not use strong liquid cleaners, Wipe clean with a dry cloth, Aluminium, Brass and Stainless Steel will naturally oxidised and change overtime. Exterior products require regular four (4) monthly cleaning and maintenance to ensure they do not accumulate dirt or other environmental deposits. Wipe the product with a mild detergent and warm water to remove surface deposits. Rinse with fresh water and wipe dry with a soft cloth. An extra temporary protection barrier of water displacement oil can help to maintain the surface, such as WD40, sprayed onto a soft cloth and rubbed onto the surface.

VARIANTS

[AMITY WB25-BKSM] AMITY
LED WALL LIGHT (BLACK|
SMOKE)



9329501079348

[AMITY WB25-BRSAM] AMITY
LED WALL LIGHT (BRASS
MATT| AMBER)



9329501079362

[AMITY WB25-BRSOP] AMITY
LED WALL LIGHT (BRASS
MATT| OPAL)



9329501079355

Find AMITY LED WALL LIGHT on
www.telbix.com

