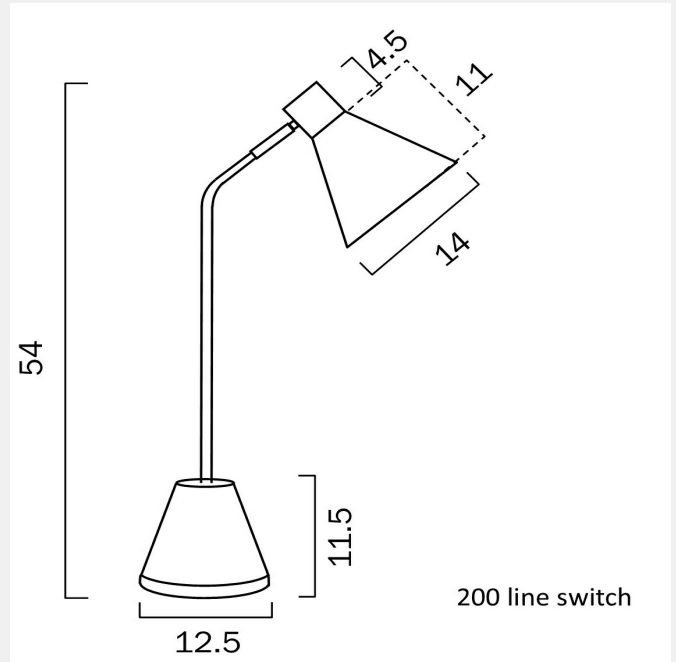


## AMBIA TABLE LAMP



### LIGHT SOURCE

**Voltage Input**

240V

**Total Wattage (max)**

25

**Globe Type**

E14

**Globe / Light Source qty**

1

**Globe / Light Source included**

No

**Dimmable**

Globe Dependant

### SPECIFICATIONS

**Lead and Plug**

Yes

**Switch**

Lamp Base

**IP rating**

IP20

**Beam Angle (degree)**

120

**Electrical Protection**

CLASS II - DOUBLE INSULATED, EARTH NOT REQUIRED

### COLOUR AND MATERIAL

**Fixture Material**

Metal

**Fixture Finish**

Matte

### PRODUCT DIMENSIONS

**Fixture Weight (Kg)**

1.5

**Fixture Height (cm)**

54

**Fixture Diameter (cm)**

25

**Cable Length (cm)**

Button Switch (Base) + 180

**telbix.**

## WARRANTY

---

Replacement Warranty

\*3 Years

## CARE

---

Care Instructions

Do not use strong liquid cleaners,Wipe clean with a dry cloth

## VARIANTS

---

[AMBIA TL-GN] AMBIA TABLE  
LAMP (GREEN)



9329501051085

[AMBIA TL-WH] AMBIA TABLE  
LAMP (WHITE)



9329501051078

Find AMBIA TABLE LAMP on  
[www.telbix.com](http://www.telbix.com)

