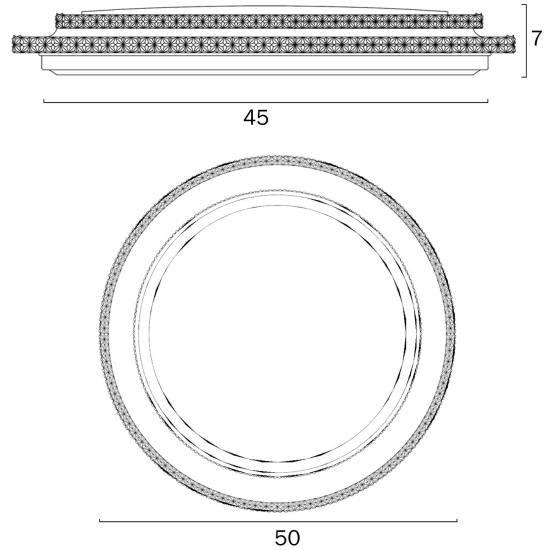


## ALTEZ 50CM 48W 3CCT LED OYSTER CEILING LIGHT



Note: Dimensions are only a guide and may vary due to manufacturing variations.

### LIGHT SOURCE

**Voltage Input**

240V

**Total Wattage (max)**

48

**Globe Type**

LED integrated SMD

**Globe / Light Source included**

Yes

**Color Kelvin**

3 CCT (3000k - 4000k - 5000k)

**Color Temperature**

Warm White; Natural White; Cool White

**Dimmable**

Yes - TRIAC

**CRI (Color Rendering Index)**

>80

**Lumens**

3450

### SPECIFICATIONS

**Lead and Plug**

No

**IP rating**

IP20

**Electrical Protection**

CLASS I - HIGH VOLTAGE, EARTH REQUIRED

**Mounting**

Surface

**Switch**

Slide Switch

### COLOUR AND MATERIAL

**Fixture Material**

Iron,Acrylic,Polycarbonate

**Fixture Finish**

Matte

**Diffuser Material**

Polycarbonate

**telbix.**

## PRODUCT DIMENSIONS

---

**Fixture Weight (Kg)**

1.8

**Fixture Diameter (cm)**

50

**Fixture Projection (cm)**

7

## WARRANTY

---

**Replacement Warranty**

\*3 Years

## OTHER

---

**Installation Required**

Yes (by Licensed Electrician only)

## CARE

---

**Care Instructions**

Do not use strong liquid cleaners,Wipe clean with a dry cloth

## VARIANTS

---

[ALTEZ OY50-WH3C] ALTEZ  
50CM 48W 3CCT LED OYSTER  
CEILING LIGHT



9329501067383

Find ALTEZ 50CM 48W 3CCT LED OYSTER CEILING LIGHT on  
[www.telbix.com](http://www.telbix.com)

