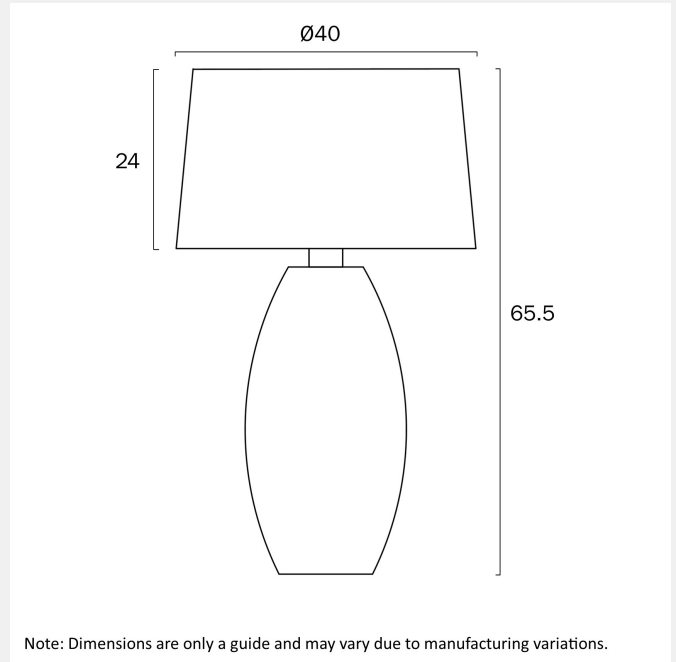


## PONTUS TABLE LAMP



### LIGHT SOURCE

**Voltage Input**

240V

**Total Wattage (max)**

25

**Wattage**

0

**Globe Type**

E27

**Globe / Light Source qty**

1

**Globe / Light Source included**

No

**Color Kelvin**

0

**Color Temperature**

0

**Dimmable**

Globe Dependant

**CRI (Color Rendering Index)**

0

**Lumens**

0

### SPECIFICATIONS

**Lead and Plug**

Yes

**USB Port**

0

**Switch**

Inline Switch

**IP rating**

IP20

**Battery Capacity (mA)**

0

**Height Adjustable?**

0

**Beam Angle (degree)**

0

**Electrical Protection**

CLASS II – DOUBLE INSULATED, EARTH NOT REQUIRED

**Current Output (mA)**

0

## COLOUR AND MATERIAL

---

**Fixture Material**

Cast Stone, Fabric

**Fixture Finish**

0

**Fixture Pantone Color**

0

**Diffuser Material**

0

## PRODUCT DIMENSIONS

---

**Fixture Weight (Kg)**

6.7

**Fixture Height (cm)**

65.5

**Fixture Diameter (cm)**

40

**Fixture Length (cm)**

0

**Fixture Width (cm)**

0

**Cable Length (cm)**

180 (30+Inline Switch+150)

## WARRANTY

---

**Replacement Warranty**

\*3 Years

## CARE

---

**Care Instructions**

Do not use strong liquid cleaners. Wipe clean with a dry cloth. Aluminium, Brass and Stainless Steel will naturally oxidise and change overtime. Exterior products require regular four (4) monthly cleaning and maintenance to ensure they do not accumulate dirt or other environmental deposits. Wipe the product with a mild detergent and warm water to remove surface deposits. Rinse with fresh water and wipe dry with a soft cloth. An extra temporary protection barrier of water displacement oil can help to maintain the surface, such as WD40, sprayed onto a soft cloth and rubbed onto the surface.

## VARIANTS

---

[PONTUS TL-BE] PONTUS  
TABLE LAMP



9329501084373

Find PONTUS TABLE LAMP on  
[www.telbix.com](http://www.telbix.com)

