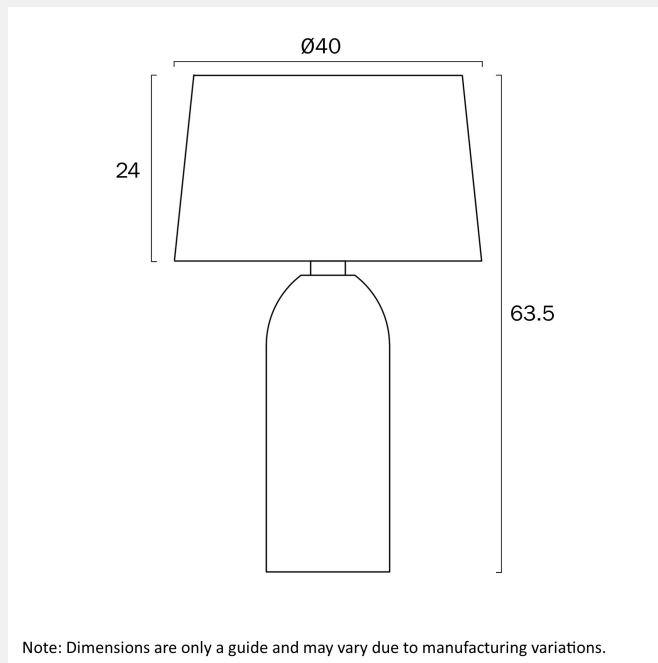


FULVIA TRAVERTINE-LOOK TABLE LAMP



LIGHT SOURCE

Voltage Input

240V

Total Wattage (max)

25

Globe Type

E27

Globe / Light Source qty

1

Globe / Light Source included

No

Dimmable

Globe Dependant

SPECIFICATIONS

Lead and Plug

Yes

Switch

Inline Switch

IP rating

IP20

Height Adjustable?

No

Electrical Protection

CLASS II – DOUBLE INSULATED, EARTH NOT REQUIRED

COLOUR AND MATERIAL

Fixture Material

Cast Stone, Fabric

Fixture Finish

Natural

PRODUCT DIMENSIONS

Fixture Weight (Kg)

4.3

Fixture Height (cm)

63.5

Fixture Diameter (cm)

40

Fixture Length (cm)

40

Fixture Width (cm)

40

telbix.

Cable Length (cm)

180 (30+Inline Switch+150)

WARRANTY

Replacement Warranty

*3 Years

CARE

Care Instructions

Do not use strong liquid cleaners. Wipe clean with a dry cloth. Aluminium, Brass and Stainless Steel will naturally oxidise and change overtime. Exterior products require regular four (4) monthly cleaning and maintenance to ensure they do not accumulate dirt or other environmental deposits. Wipe the product with a mild detergent and warm water to remove surface deposits. Rinse with fresh water and wipe dry with a soft cloth. An extra temporary protection barrier of water displacement oil can help to maintain the surface, such as WD40, sprayed onto a soft cloth and rubbed onto the surface.

VARIANTS

[FULVIA TL-BE] FULVIA
TRAVERTINE-LOOK TABLE
LAMP



9329501084397

Find FULVIA TRAVERTINE-LOOK TABLE LAMP on
www.telbix.com

