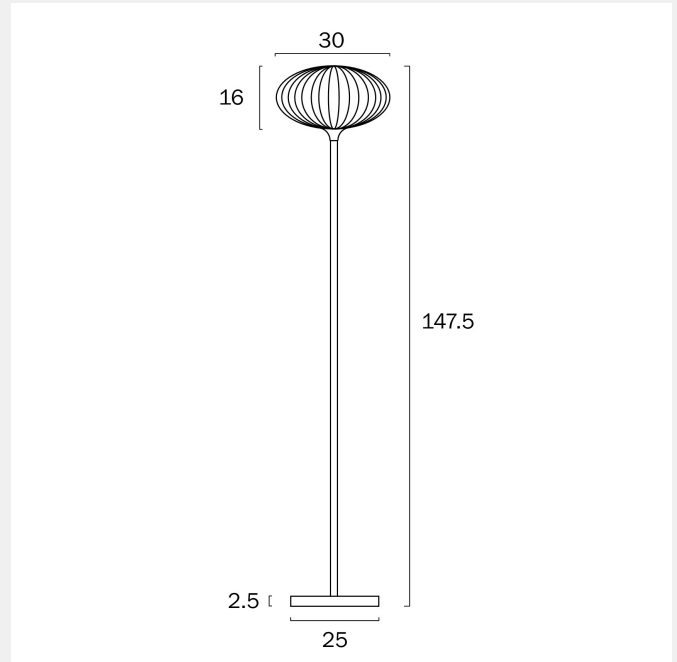


## NORI FLOOR LAMP



### LIGHT SOURCE

**Voltage Input**

240V

**Total Wattage (max)**

25

**Globe Type**

E27

**Globe / Light Source qty**

1

**Globe / Light Source included**

No

**Dimmable**

Globe Dependant

### SPECIFICATIONS

**Lead and Plug**

Yes

**Switch**

Foot Switch

**IP rating**

IP20

**Height Adjustable?**

No

**Electrical Protection**

CLASS II – DOUBLE INSULATED, EARTH NOT REQUIRED

### COLOUR AND MATERIAL

**Fixture Material**

Iron,Glass

### PRODUCT DIMENSIONS

**Fixture Weight (Kg)**

4.5

**Fixture Height (cm)**

147.5

**Fixture Diameter (cm)**

30

**Cable Length (cm)**

200 (50+Foot Switch+150)

### WARRANTY

**Replacement Warranty**

\*3 Years

**telbix.**

## CARE

---

### Care Instructions

Do not use strong liquid cleaners,Wipe clean with a dry cloth

## VARIANTS

---

[NORI FL-BKOM] NORI FLOOR  
LAMP



9329501062852

Find NORI FLOOR LAMP on  
[www.telbix.com](http://www.telbix.com)

