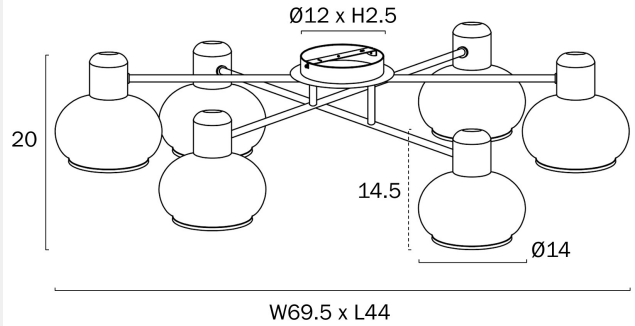


MARBELL 6 CTC CEILING LIGHT



Note: Dimensions are only a guide and may vary due to manufacturing variations.

CARE

Care Instructions

Do not use strong liquid cleaners, Wipe clean with a dry cloth. Aluminium, Brass and Stainless Steel will naturally oxidised and change overtime. Exterior products require regular four (4) monthly cleaning and maintenance to ensure they do not accumulate dirt or other environmental deposits. Wipe the product with a mild detergent and warm water to remove surface deposits. Rinse with fresh water and wipe dry with a soft cloth. An extra temporary protection barrier of water displacement oil can help to maintain the surface, such as WD40, sprayed onto a soft cloth and rubbed onto the surface.

[MARBELL CTC6BKSM]
MARBELL 6 CTC CEILING
LIGHT (BLACK| SMOKE)



9329501069882

VARIANTS

[MARBELL CTC6ABAM]
MARBELL 6 CTC CEILING
LIGHT (ANTIQUE BRASS|
AMBER)



9329501069899

Find MARBELL 6 CTC CEILING LIGHT on
www.telbix.com

