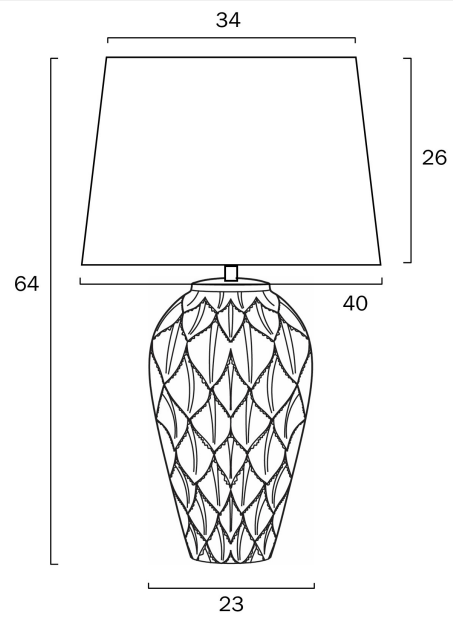


MADRID CERAMIC TABLE LAMP



Note: Dimensions are only a guide and may vary due to manufacturing variations.

LIGHT SOURCE

Voltage Input

240V

Total Wattage (max)

25

Globe Type

E27

Globe / Light Source qty

1

Globe / Light Source included

No

Dimmable

Globe Dependant

SPECIFICATIONS

Lead and Plug

Yes

Switch

Inline Switch

IP rating

IP20

Electrical Protection

CLASS II - DOUBLE INSULATED, EARTH NOT REQUIRED

COLOUR AND MATERIAL

Fixture Material

Fabric,Ceramic

Fixture Finish

Gloss

PRODUCT DIMENSIONS

Fixture Weight (Kg)

2.7

Fixture Height (cm)

64

Fixture Diameter (cm)

40

Cable Length (cm)

180 (30+Inline Switch+150)

WARRANTY

Replacement Warranty

*3 Years

CARE

Care Instructions

Do not use strong liquid cleaners,Wipe clean with a dry cloth

VARIANTS

[MADRID TL-BKWH] MADRID
CERAMIC TABLE LAMP
(BLACK)



9329501059692

[MADRID TL-BLWH] MADRID
CERAMIC TABLE LAMP (BLUE)



9329501059685

[MADRID TL-GNWH] MADRID
CERAMIC TABLE LAMP
(GREEN)



9329501059654

[MADRID TL-RDWH] MADRID
CERAMIC TABLE LAMP (RED)



9329501059678

Find MADRID CERAMIC TABLE LAMP on
www.telbix.com

