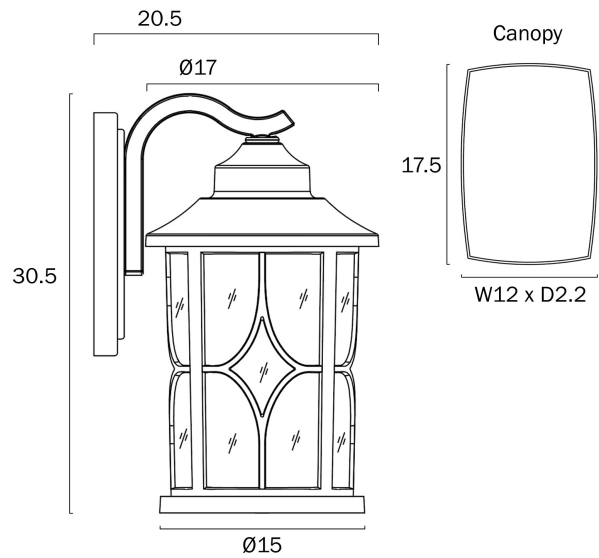


## LENORE EXTERIOR WALL LIGHT SMALL



Note: Dimensions are only a guide and may vary due to manufacturing variations.

### LIGHT SOURCE

**Voltage Input**

240V

**Total Wattage (max)**

25

**Globe Type**

E27

**Globe / Light Source qty**

1

**Globe / Light Source included**

No

**Dimmable**

Globe Dependant

### SPECIFICATIONS

**Lead and Plug**

No

**IP rating**

IP43

**Electrical Protection**

CLASS I – HIGH VOLTAGE, EARTH REQUIRED

**Mounting**

Surface

### COLOUR AND MATERIAL

**Fixture Material**

Aluminium,Glass

**Fixture Finish**

Sand

### PRODUCT DIMENSIONS

**Fixture Weight (Kg)**

1.8

**Fixture Projection (cm)**

20.5

**Fixture Height (cm)**

30.5

**Fixture Width (cm)**

17

### WARRANTY

**Replacement Warranty**

\*3 Years

**OTHER**

---

**Installation Required**

Yes (by Licensed Electrician only)

**CARE**

---

**Care Instructions**

Do not use strong liquid cleaners. Wipe clean with a dry cloth. Aluminium, Brass and Stainless Steel will naturally oxidised and change overtime. Exterior products require regular four (4) monthly cleaning and maintenance to ensure they do not accumulate dirt or other environmental deposits. Wipe the product with a mild detergent and warm water to remove surface deposits. Rinse with fresh water and wipe dry with a soft cloth. An extra temporary protection barrier of water displacement oil can help to maintain the surface, such as WD40, sprayed onto a soft cloth and rubbed onto the surface.

**VARIANTS**

---

[LENORE EX170-BK] LENORE  
EXTERIOR WALL LIGHT SMALL  
(BLACK)



9329501068434

[LENORE EX170-WH] LENORE  
EXTERIOR WALL LIGHT SMALL  
(WHITE)



9329501068533

Find LENORE EXTERIOR WALL LIGHT SMALL on  
[www.telbix.com](http://www.telbix.com)

