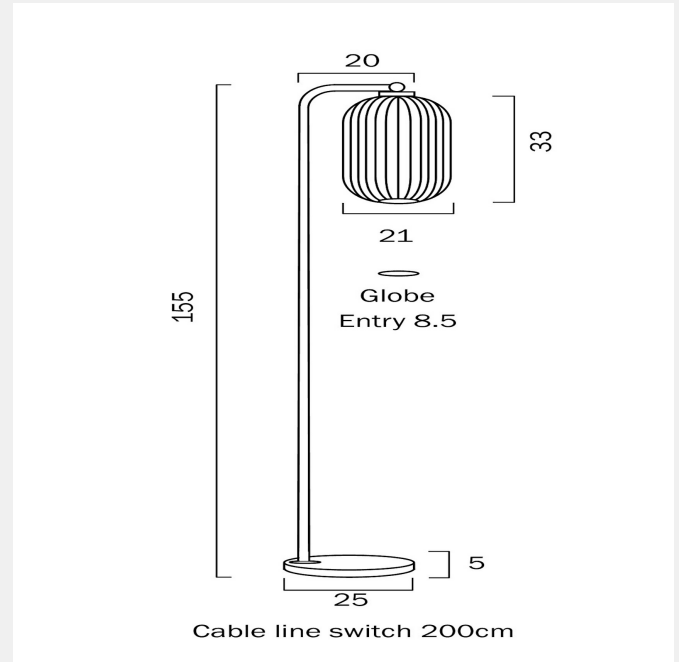


LARK FLOOR LAMP



LIGHT SOURCE

Voltage Input

240V

Total Wattage (max)

25

Globe Type

E27

Globe / Light Source qty

1

Globe / Light Source included

No

Dimmable

Globe Dependant

SPECIFICATIONS

Lead and Plug

Yes

Switch

Foot Switch

IP rating

IP20

Height Adjustable?

No

Electrical Protection

CLASS II – DOUBLE INSULATED, EARTH NOT REQUIRED

COLOUR AND MATERIAL

Fixture Material

Marble,Glass,Iron

PRODUCT DIMENSIONS

Fixture Weight (Kg)

4.4

Fixture Height (cm)

155

Fixture Diameter (cm)

21

Cable Length (cm)

200 (50+Foot Switch+150)

WARRANTY

Replacement Warranty

*3 Years

telbix.

CARE

Care Instructions

Do not use strong liquid cleaners,Wipe clean with a dry cloth

VARIANTS

[LARK FL-AG] LARK FLOOR
LAMP



9329501056059

Find LARK FLOOR LAMP on
www.telbix.com

