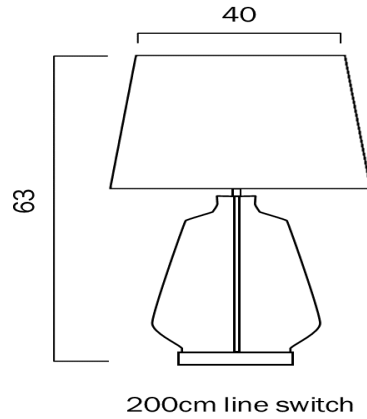


HARPER TABLE LAMP



LIGHT SOURCE

Voltage Input

240V

Total Wattage (max)

25

Globe Type

E27

Globe / Light Source qty

1

Globe / Light Source included

No

Dimmable

Globe Dependant

SPECIFICATIONS

Lead and Plug

Yes

Switch

Inline Switch

IP rating

IP20

Electrical Protection

CLASS II - DOUBLE INSULATED, EARTH NOT REQUIRED

COLOUR AND MATERIAL

Fixture Material

Glass,Metal,Fabric

PRODUCT DIMENSIONS

Fixture Height (cm)

63

Fixture Diameter (cm)

40

Cable Length (cm)

180 (30+Inline Switch+150)

WARRANTY

Replacement Warranty

*Clearance item 1 year warranty

CARE

Care Instructions

Do not use strong liquid cleaners,Wipe clean with a dry cloth

telbix.

VARIANTS

[HARPER TL-SMWH] HARPER
TABLE LAMP (SMOKE| WHITE)



9329501057483

Find HARPER TABLE LAMP on
www.telbix.com

