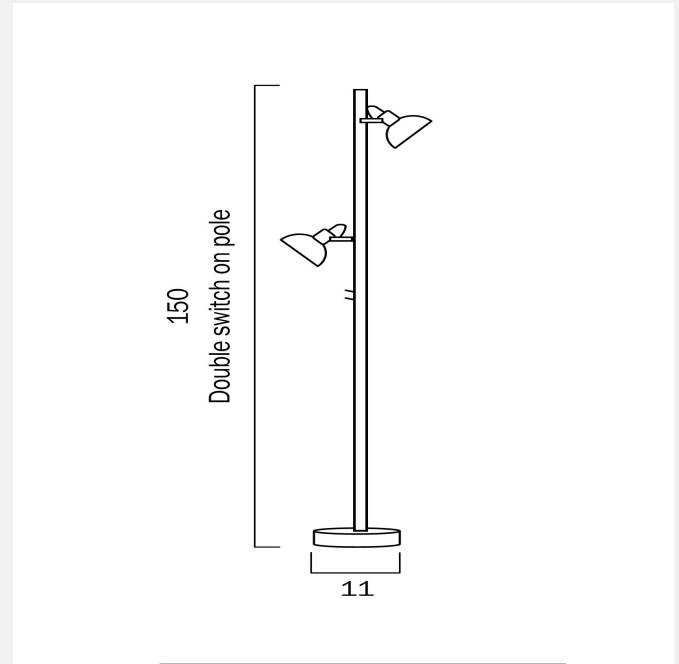


## CARSON FLOOR LAMP



### LIGHT SOURCE

**Voltage Input**

240V

**Total Wattage (max)**

6

**Wattage**

3

**Globe Type**

GU10

**Globe / Light Source qty**

2

**Globe / Light Source included**

No

**Dimmable**

Globe Dependant

### SPECIFICATIONS

**Lead and Plug**

Yes

**Switch**

Foot Switch

**IP rating**

IP20

**Height Adjustable?**

No

**Electrical Protection**

CLASS II - DOUBLE INSULATED, EARTH NOT REQUIRED

### COLOUR AND MATERIAL

**Fixture Material**

Iron

**Fixture Finish**

Anodised

### PRODUCT DIMENSIONS

**Fixture Weight (Kg)**

4

**Fixture Height (cm)**

150

**Fixture Diameter (cm)**

11

**Fixture Width (cm)**

32

**telbix.**

**Cable Length (cm)**

Toggle Switch (Tube)+180

## WARRANTY

---

**Replacement Warranty**

\*3 Years

## CARE

---

**Care Instructions**

Do not use strong liquid cleaners,Wipe clean with a dry cloth

## VARIANTS

---

[CARSON FL-NK] CARSON  
FLOOR LAMP (NICKEL)



9329501050934

Find CARSON FLOOR LAMP on  
[www.telbix.com](http://www.telbix.com)

